

AR-881 (EF)

 **Fingerprint Access Controller**



(Optical)



(Capacitive)

Optional Access Mode: Fingerprint / RF Tag

Capacity to connect with fire call points to release all doors under emergency

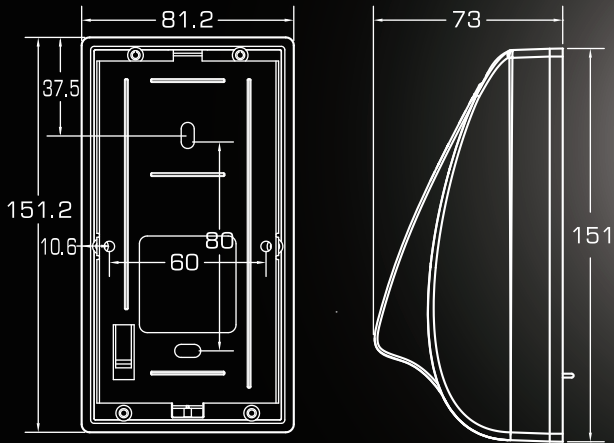
Patented Relay design can avoid the door opened by any vibration or mis-trigger

Support Network Redundancy by dual communication interface, TCP/IP and RS-485

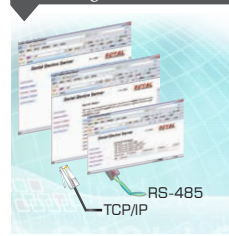
Fingerprint Sensor can option the Optical Sensor (DO) or the Capacitive Sensor (MT)



## Dimensions (mm)



### Networking / Time attendance



### Lift Control

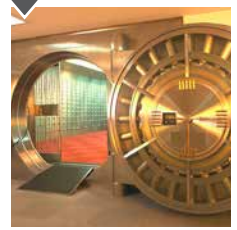


## Application

### Gateway Control



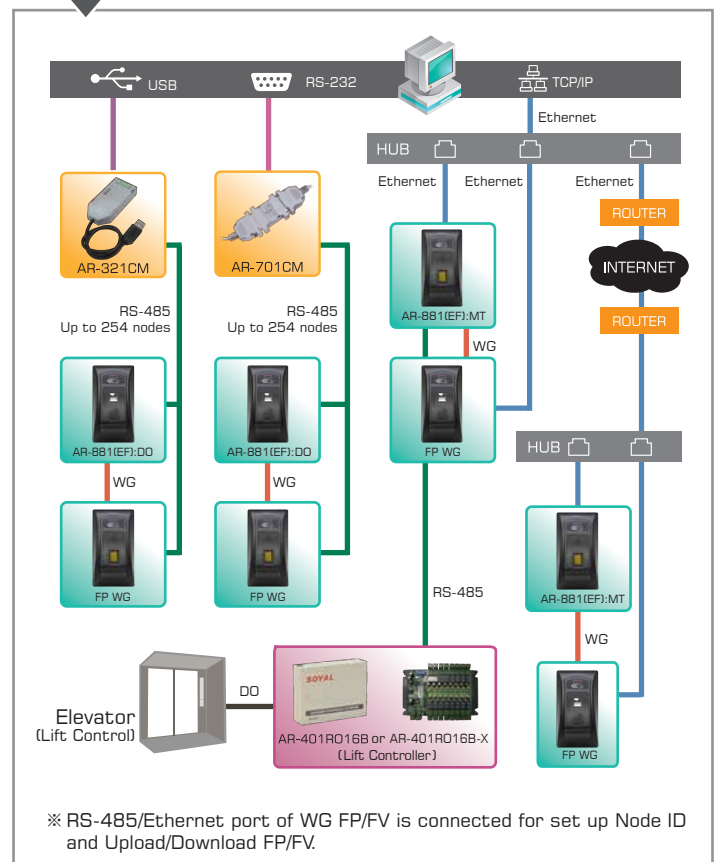
### Treasury Management



## Specification

Frequency	125KHz	13.56MHz	Dual Band
Standard	EM Standard	ISO14443A Option DESFire PSAM NFC	EM Standard ISO14443A Option DESFire PSAM NFC
Reading Range ( Depends on Tags )	5-10cm	2-7cm	125kHz : 5-10cm 13.56MHz : 2-7cm
Power Supply	10-24VDC		
Power consumption	<5W		
Communication Interface	RS-485+Ethernet		
Baud Rate	9600 bps(N,8,1)+ 10/100M Base T		
Temperature	0°C to +60 °C		
Digital Input	Egress(R.T.E.) x 2 / Door contact x 2		
Relay Output	Lock Relay		
Lock Relay Time	ON/OFF, 0.1-600 Sec		
Alarm Time	Toggle, 1-600 Sec		
Tamper Switch	Limit Switch (Form C)		
User Capacity	16,000		
Event log	32,000		
External Reader	1 Wiegand Port		
Anti-pass-back	Yes		
Lift Control	64 Floors, 16,000 Users		
Serial port	No		
Transistor Output	Arming LED / Alarm / Duress / WG Lock Relay / Security trigger signal		
Indicator	3 LED & 1 Beeper		
Housing Material	ABS+PC		
Time Zone	63		
Operation Mode	Standalone/ Networking		
FAR	<0.001%		
FRR	<1%		
Finger Registration Capacity	9,000 (1-2 finger for each user)		
Auth. Speed (1:N)	0.8 Sec.		
Dimensions (mm)	151(L)X81(W)X73(H)		
Weight (g)	330±10		

## Structure



## Diagram for double door control

